

# **MSD** INSTALLATION INSTRUCTIONS

## **MSD GM HEI Rotor PN 84101**

**ONLINE PRODUCT REGISTRATION:** Register your MSD product online. Registering your product will help if there is ever a warranty issue with your product and helps the MSD R&D team create new products that you ask for! Go to [www.msperformance.com/registration](http://www.msperformance.com/registration).

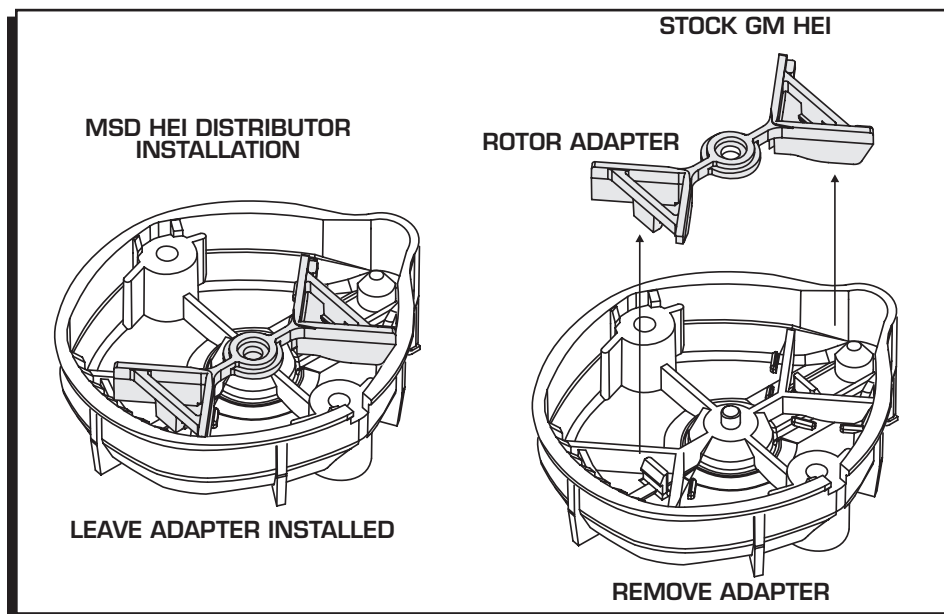
**Parts Included:**

1 - Rotor

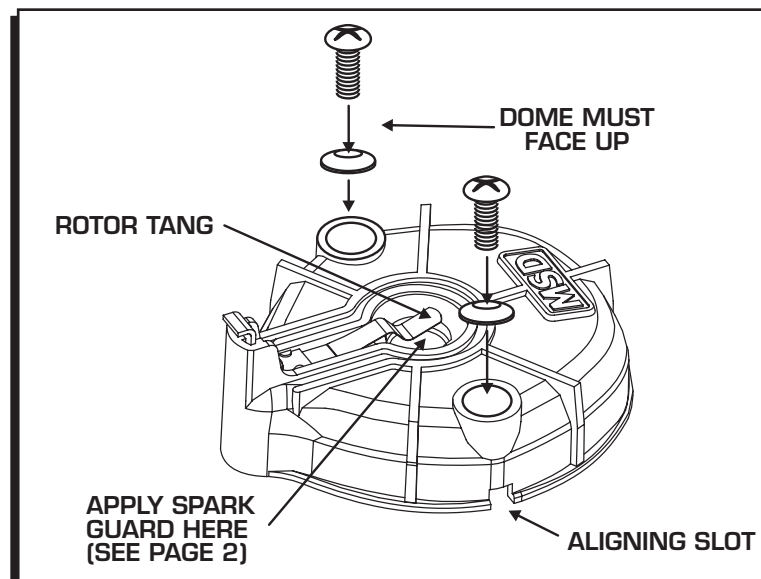
2 - Screws

2 - Belleville Washers

The MSD GM HEI Rotor is supplied ready to install on MSD's HEI Distributor, PN 8365 or PN83653. It can also be used on stock GM HEI Distributors by removing the x-shaped Rotor Adapter as shown in Figure 1.



**Figure 1 Removing the Rotor Adapter for Stock Applications.**



**Figure 2 Installing the Rotor.**

# **INSTALLATION INSTRUCTIONS**

## **TECH TIPS**

### **ROTOR TANG CONTACT**

Make sure the rotor tang makes contact with the rotor bushing in the center of the cap. You can slightly push or bend the tang up. Confirm contact by applying grease to the tang, install the cap, then check for contact. (Remove grease before final assembly.)

### **SPARK GUARD**

For improved protection against spark arc-through, apply a small amount of MSD Spark Guard, PN 8804, in the rotor tang well area (Figure 2). This is not necessary, but just added protection.

### **LOW RESISTANCE ROTOR BUSHING**

If you are running an MSD Digital Series Ignition Control, a 7-Series Ignition Control, or the 20 Amp Extreme HEI Module, the MSD Low Resistance Rotor Bushing, PN 8412, must be used. If a stock rotor bushing is used damage will occur to the cap and rotor due to excessive heat build up caused by the high resistance of the stock rotor bushing.

### **Service**

In case of malfunction, this MSD component will be repaired free of charge according to the terms of the warranty. When returning MSD components for warranty service, **Proof of Purchase** must be supplied for verification. After the warranty period has expired, repair service is based on a minimum and maximum fee.

**All returns must have a Return Material Authorization (RMA) number** issued to them before being returned. To obtain an RMA number please contact MSD Customer Service at 1 (888) MSD-7859 or visit our website at [www.msdpower.com/rma](http://www.msdpower.com/rma) to automatically obtain a number and shipping information.

When returning the unit for repair, leave all wires at the length in which you have them installed. Be sure to include a detailed account of any problems experienced, and what components and accessories are installed on the vehicle. The repaired unit will be returned as soon as possible using Ground shipping methods (ground shipping is covered by warranty). For more information, call MSD at (915) 855-7123. MSD technicians are available from 7:00 a.m. to 5:00 p.m. Monday - Friday (mountain time).

### **Limited Warranty**

MSD warrants this product to be free from defects in material and workmanship under its intended normal use\*, when properly installed and purchased from an authorized MSD dealer, for a period of one year from the date of the original purchase. This warranty is void for any products purchased through auction websites. If found to be defective as mentioned above, it will be repaired or replaced at the option of MSD. Any item that is covered under this warranty will be returned free of charge using Ground shipping methods.

This shall constitute the sole remedy of the purchaser and the sole liability of MSD. To the extent permitted by law, the foregoing is exclusive and in lieu of all other warranties or representation whether expressed or implied, including any implied warranty of merchantability or fitness. In no event shall MSD or its suppliers be liable for special or consequential damages.

\*Intended normal use means that this item is being used as was originally intended and for the original application as sold by MSD. Any modifications to this item or if it is used on an application other than what MSD markets the product, the warranty will be void. It is the sole responsibility of the customer to determine that this item will work for the application they are intending. MSD will accept no liability for custom applications.