



Fuel Pressure Regulator Plate Kit

Catalog #8192

Catalog #8193

Catalog #8195

INSTALLATION INSTRUCTIONS

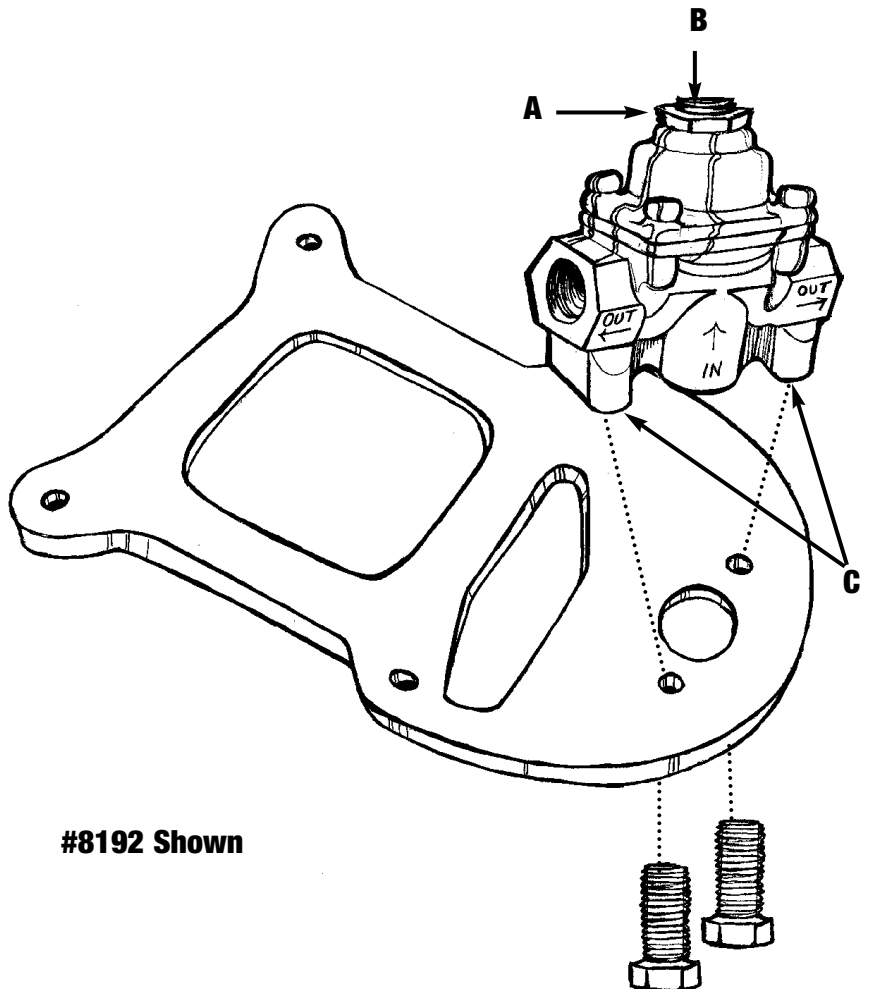
PLEASE study these instructions carefully before installing your new fuel pressure regulator plate kit. If you have any questions or problems, do not hesitate to call our **Technical Hotline at: 800-416-8628**, 7 am - 5 pm, Monday-Friday, Pacific Standard Time or e-mail us at edelbrock@edelbrock.com.

FUEL PRESSURE REGULATOR PLATE KITS

- | | |
|------------------------|---|
| Catalog # 8192: | Standard-flange dual-inlet Holley carburetors (gasoline only)
Pressure range 4-1/2 to 9 P.S.I. (preset to 7 P.S.I.) |
| Catalog # 8193: | 4500 Series dual-inlet Holley carburetors (gasoline only)
Pressure range 4-1/2 to 9 P.S.I. (preset to 7 P.S.I.) |
| Catalog # 8195: | Standard-flange dual-inlet Holley carburetors with GM throttle cable bracket (gasoline only)
Pressure range 4-1/2 to 9 P.S.I. (preset to 7 P.S.I.) |

1. Fuel inlet and outlet ports are marked on regulator.
2. Fuel line has provision for fuel pressure gauge (1/8" pipe).
3. Fuel inlet port accepts AN fitting supplied for #8 fuel Line.
4. Fuel pressure is adjusted by loosening 5/8" lock-nut "A" on top of regulator and with 7/32" Allen key, turn set screw "B" to desired setting.
5. Re-tighten lock nut.

Caution: Do not over-tighten fittings in pressure regulator. Fittings which go with pipe threads tend to crack parts when over-tightened. Use a good pipe sealant to create a proper seal. (Pipe tape is not recommended for this application). Care must be taken when installing two self-tapping 1/4-20 support bolts in regulator. We suggest tapping threads prior to installation, ("C"). Upon engine start-up, check all fittings and hoses for possible fuel leaks. Adjust pressure to desired settings.



#8192 Shown