



**Two-Piece Stamped Aluminum Timing Cover**  
**CATALOG #4242**  
**for Small-block Chevrolet V8, 1986 & earlier**  
**INSTALLATION INSTRUCTIONS**

**PLEASE** study these instructions carefully before beginning this installation. Most installations can be accomplished with common tools and procedures. However, you should be familiar with and comfortable working on your vehicle. If you do not feel comfortable performing this installation, it is recommended to have the installation completed by a qualified mechanic. If you have any questions, please call our **Technical Hotline at: 1-800-416-8628**, 7:00 am - 5:00 pm, Pacific Standard Time, Monday through Friday or e-mail us at [Edelbrock@Edelbrock.com](mailto:Edelbrock@Edelbrock.com).

**IMPORTANT NOTE: Proper installation is the responsibility of the installer. Improper installation will void your warranty and may result in poor performance and engine or vehicle damage.**

- **DESCRIPTION:** This Two-Piece Timing Cover for 1986 & earlier small-block Chevrolets is a direct replacement part for the stock front cover. This system allows camshaft or timing chain access without loosening or removing the oil pan. Unlike a stock timing cover that has an integral oil pan seal welded to the timing cover, this system uses an oil pan seal attached to a separate backing plate. This backing plate does not need to be removed after initial installation to allow access to the cam or cam drive mechanism.

**NOTES:**

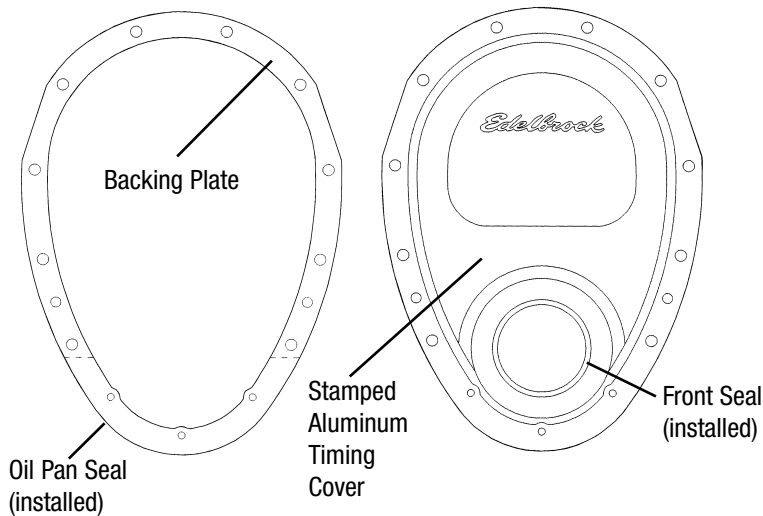
- (1) If a cam thrust button is desired, use Competition Cams Teflon thrust button #202 or equivalent.
- (2) A harmonic dampener puller and installation tool is required for this installation. You will also need gasket sealers such as Edelbrock Gasgacinch #9300 and RTV silicone sealant gasket.

- **INSTALLATION**

Installation is basically the same as for stock timing covers. Specific steps will vary from vehicle to vehicle; check factory repair manual if necessary for step-by-step instructions. The following is a general guide to installation in most vehicles:

1. Disconnect battery and drain coolant into suitable container for re-use.
2. Remove the fan shroud, fan blade, water pump, and harmonic dampener using special dampener puller.  
**NOTE:** On some vehicles, it is necessary to remove radiator to gain access to harmonic dampener.
3. Loosen oil pan bolts enough to allow pan to be pried down to clear stock front rubber gasket. Be careful not to damage oil pan gaskets. If gaskets tear, it will be necessary to remove oil pan and replace gaskets.
4. Remove 10 bolts holding stock timing cover to block and remove cover.
5. Carefully scrape all gasket surfaces on face of block to remove old gasket and residue. Use a rag to prevent debris from falling into oil pan and be careful not to damage oil pan gasket.
6. Position new backing plate, timing cover gasket, and oil pan seal over dowel pins in front of block. Use Gasgacinch #9300 between the gasket and the block, and between the oil pan seal and the backing plate. Use RTV silicone in the corners where the oil pan seal and oil pan gaskets meet and between the oil pan seal and front lip of the oil pan.
7. Install stamped aluminum timing cover and gasket using 10 socket head screws and flat and lock washers supplied. Use (3) #8-32 hex nuts and flat washers on the studs protruding from the bottom of the backing plate. Snug the small nuts with an open end wrench just enough to prevent loosening. Don't over tighten! Use Edelbrock Gasgacinch between gasket and backing plate. Use RTV silicone gasket sealant sparingly between gasket and aluminum cover. Apply silicone around the studs to prevent seepage.  
**NOTE:** Stamped aluminum timing cover is supplied with front seal installed. When changing front seal in the future, be sure to support the aluminum cover securely with a piece of wood when driving in new front seal.

8. Tighten all oil pan bolts.
9. Install timing tab, harmonic dampener, water pump, fan blade, fan shroud and any other accessories removed.
10. Re-fill cooling system and re-connect battery.
11. Start engine and check for leaks.



• **KIT CONTENTS:**

- 1 - Stamped aluminum timing cover
- 1 - Seal; front hub (installed; CR #17286)
- 1 - Backing plate/oil pan seal adapter
- 1 - Gasket; backing plate-to-front cover (#54-4242)
- 1 - Gasket; timing cover (#54-0601)
- 3 - Hex nuts; #8-32
- 3 - Flat washers; #8
- 1 - Oil pan seal (installed; 54-0607)
- 10 - Socket head screws; 1/4"-20 x 3/4"
- 10 - Flat washers; 1/4"
- 10 - Lock washers; 1/4"
- 1 - Timing tab



**Edelbrock Corporation • 2700 California St. • Torrance, CA 90503**  
**Tech Line: 1-800-416-8628 • E-Mail: Edelbrock@Edelbrock.com**