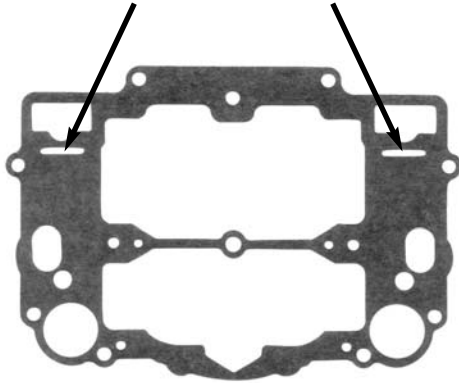




SPECIAL INSTRUCTIONS
For Air-Horn Gaskets for Performer Series Carburetors

Supplement for Catalog #1472, 1477, & 1499

Trim the slots in the gasket as needed.



NOTE: Some carburetor tops have cast-in baffles near the slots in the gasket, as shown in the figure to the left. If this is the case with your carburetor, the gasket may need to be trimmed to properly fit over the baffles. Trim the gasket as shown.

Catalog #1472, 1477, 1499
Rev. 12/06 - RS/mc

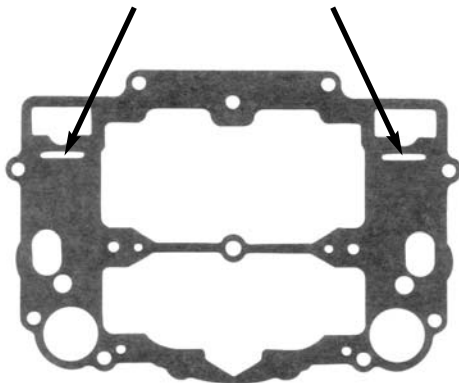
©2006 Edelbrock Corporation
Brochure #63-0230



SPECIAL INSTRUCTIONS
For Air-Horn Gaskets for Performer Series Carburetors

Supplement for Catalog #1472, 1477, & 1499

Trim the slots in the gasket as needed.



NOTE: Some carburetor tops have cast-in baffles near the slots in the gasket, as shown in the figure to the left. If this is the case with your carburetor, the gasket may need to be trimmed to properly fit over the baffles. Trim the gasket as shown.

Catalog #1472, 1477, 1499
Rev. 12/06 - RS/mc

©2006 Edelbrock Corporation
Brochure #63-0230