



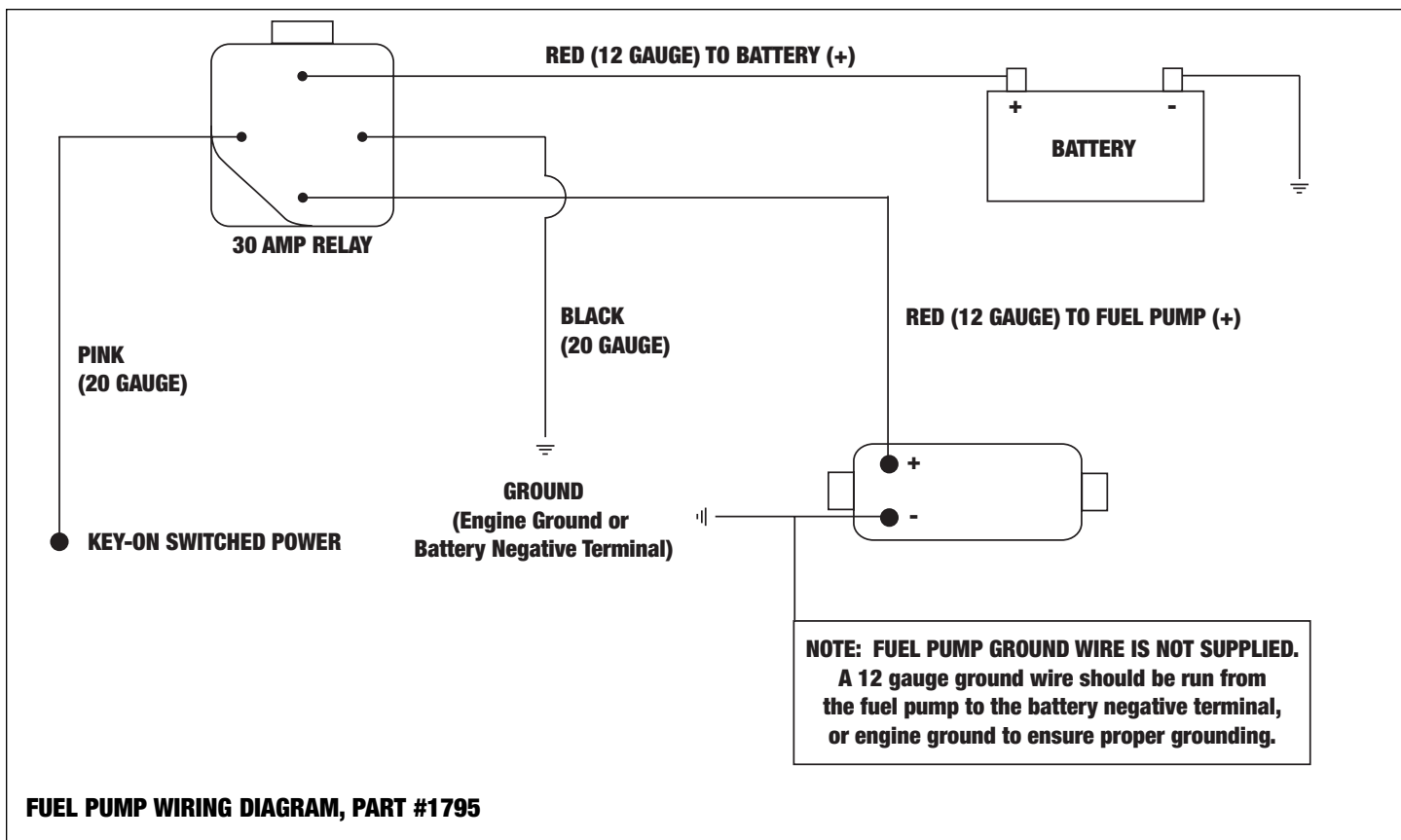
**INSTALLATION INSTRUCTIONS**

**PLEASE** study these instructions carefully before beginning this installation. Most installations can be accomplished with common tools and procedures. However, you should be familiar with and comfortable working on your vehicle. If you do not feel comfortable performing this installation, it is recommended to have the installation completed by a mechanic. If you have any questions or problems, please call our **Technical Hotline at: 1-800-416-8628**, 7:00 am - 5:00 pm, Pacific Standard Time, Monday through Friday or e-mail us at [edelbrock@edelbrock.com](mailto:edelbrock@edelbrock.com).

**DESCRIPTION:** The Edelbrock Fuel Pump Relay kit is for use with Edelbrock electric fuel pumps. Use of a relay with electric fuel pumps ensures proper wiring, which reduces risk of damage to the fuel pump and results in consistent fuel pressure. The Edelbrock Universal Electric Fuel Pump Relay Kit may also be used with other electric fuel pumps, depending on amperage draw.

**CAUTION:** DO NOT exceed 25 amps at a continuous draw. Relay will handle amperage peaks up to 30 amps.

**INSTALLATION INSTRUCTIONS:** See the following wiring diagram for proper wiring sequence.



**PLEASE** fill out and mail your warranty card. Remember to write the model number of this product in the "Part # \_\_\_\_" space. **THANK YOU.**

**Edelbrock Corporation • 2700 California St. • Torrance, CA 90503**  
**Tech Line: 800-416-8628 • E-Mail: Edelbrock@Edelbrock.com**