



# EDELBROCK AIR CLEANER Catalog #s 4115, 4117, 4119 INSTALLATION INSTRUCTIONS

**Please** study these instructions carefully before installing your new Air Cleaner Assemblies. If you have any questions, do not hesitate to contact our **Technical Hotline at: (800) 416-8628** from 7:00 am to 5:00 pm, Monday through Friday, Pacific Standard Time.

### **IMPORTANT NOTE:**

**Proper installation is the responsibility of the installer. Improper installation will void warranty and may result in poor performance and engine or vehicle damage.**

### **DESCRIPTION:**

**4115:** This classic oval air cleaner is intended for OEM and Edelbrock carburetors; other aftermarket brands may need to use a spacer.

**4117:** This 14" round air cleaner has been designed to fit most OEM and aftermarket carburetors without the use of a spacer.

**4119:** This air cleaner assembly is only intended for use with Edelbrock/AFB carburetors on an Edelbrock dual quad intake, or other dual carb manifold utilizing a 6-7/16" center to center spacing.

### **INSTALLATION INSTRUCTIONS:**

1. Install the air horn gasket and stud supplied on carburetor and place air cleaner base over carburetor(s). (*4117 ONLY: If the carb base does not seat properly, rotate it until the indentations allow it to drop into place. The bolt holes should still line up with the provisions in the air cleaner top to allow the fins to run front to back.*)
2. The crossbar will need to be bent in the middle so that the hold down tabs can grasp the inner lip of the base (See Figure #1). Install the washer and locknut then check the fit. You may want to trim any excess from the top of the carb stud at this time. Be sure to remove the carb stud prior to cutting to avoid getting debris inside the engine. A small amount of blue Loctite should be applied to the carb stud prior to final tightening.
3. Apply a small amount of blue loctite to the threads, then install the threaded studs into the air cleaner top plate and place the air filter onto the base. The top should rest on the filter with the threaded studs sticking through the holes in the base. At this point, simply install the wing nuts, tighten them until snug, and your installation is complete.

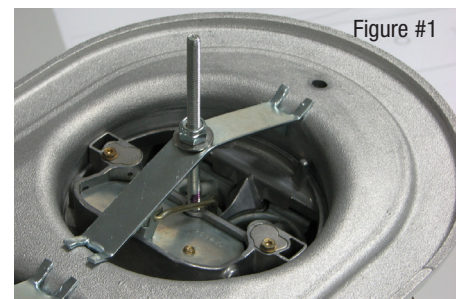


Figure #1

### **Note:**

To prevent possible hood damage, check for proper hood clearance using clay cones as seen in Figure #2. **Don't shut the hood without checking clearance first!**

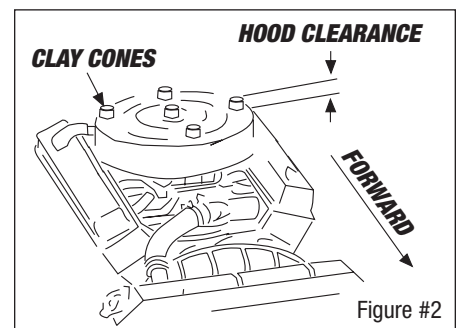


Figure #2

### **MAINTENANCE:**

These air cleaner assemblies use a pre-oiled gauze element that can be cleaned and re-oiled as needed to improve its air flow. Simply wash the element in hot soapy water and allow to dry, then apply a light aerosol oil.

**Edelbrock LLC • 2700 California St. • Torrance, CA 90503  
Tech Line: 800-416-8628**