



EDELBROCK 1-4 PSI FUEL PRESSURE REGULATOR

Part #1789

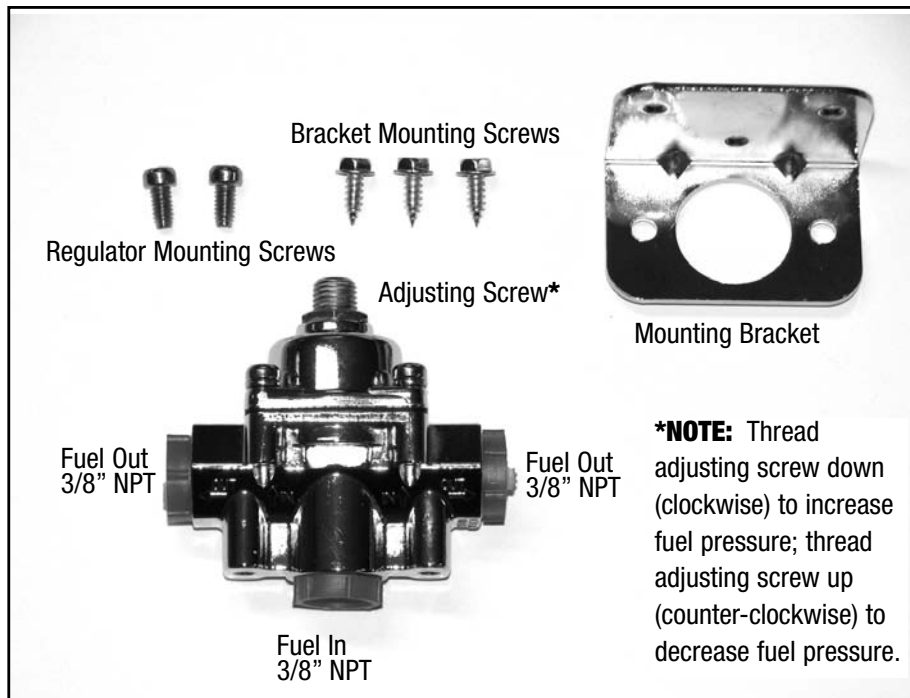
INSTALLATION INSTRUCTIONS

PLEASE study these instructions completely and thoroughly before installing your new Edelbrock Fuel Pressure Regulator. If you have any questions, contact our **Technical Hotline at: 1-800-416-8628**, 7 am - 5 pm Monday-Friday, Pacific Standard Time.

CAUTION!

Installation of this product should be performed by those persons knowledgeable in the repair and modification of automotive fuel systems. **Do not loosen fuel system connections until relieving pressure** as recommended in your automotive service manual. Fuel leakage will occur when loosening fuel system connections, eliminate potential fire hazards before loosening any fuel system connections.

1. With the ignition "off" and engine cool, relieve the fuel system pressure.
2. Determine the new regulator mounting location. Mark and drill 1/8" holes for the mounting bracket using the bracket as a template.
3. Install the fittings (**3/8" NPT fuel fittings NOT included**). Coat the threads of the fitting with thread sealer (not supplied).
4. Assemble the bracket and regulator using the supplied screws.
5. Install the regulator and bracket assembly in the desired location using the supplied self-tapping screws.
6. Remove the fuel line, carburetor side.
7. Connect and tighten fuel lines to the inlet and outlet ports, as seen below, replacing existing fuel lines as necessary for proper fitment and installation.
8. Remove a fuel line to install a fuel pressure gauge(not included) on the outlet side of the regulator.
8. If the second fuel outlet will not be used, install a 3/8" NPT plug (not supplied) with thread sealer (not supplied).
9. **Check for leaks:** Start engine and check all connections for leaks. If any leaks exist, immediately turn key off and repair before continuing.
10. Verify that your fuel pressure is within the recommended operating range of your carburetor. If it isn't, loosen the jam nut on the top of the regulator and tighten the adjusting screw to increase the pressure or loosen it to decrease the pressure until the desired fuel pressure is obtained. Tighten the jam nut then verify that the desired fuel pressure has been achieved..



Edelbrock LLC • 2700 California St. • Torrance, CA 90503
Tech-Line: (800) 416-8628 • Office Line: 310-781-2222