



**PERFORMER T.B.I. INTAKE MANIFOLD**  
**For 1987-1995 Chevrolet 305 and 350 c.i.d. V8**  
**Catalog #3704**  
**INSTALLATION INSTRUCTIONS**

**PLEASE** study these instructions carefully before beginning this installation. Most installations can be accomplished with common tools and procedures. However, you should be familiar with and comfortable working on your vehicle. If you do not feel comfortable performing this installation, it is recommended to have the installation completed by a qualified mechanic. If you have any questions, please call our **Technical Hotline at: 1-800-416-8628**, 7:00 am - 5:00 pm, Pacific Standard Time, Monday through Friday.

**IMPORTANT NOTE: Proper installation is the responsibility of the installer. Improper installation will void your warranty and may result in poor performance and engine or vehicle damage.**

**DESCRIPTION:** Edelbrock Performer manifolds equipped with EGR are compatible will exhaust emissions or emissions related stock components. Non-EGR equipped manifolds will not accept stock EGR (Exhaust Gas Recirculation) equipment. EGR systems are used on some 1972 and later model vehicles and only in some states. Even though manifolds are compatible with EGR systems, this does not mean they are legal for use on emissions controlled vehicles. Check local laws for legality.

• **KIT CONTENTS:**

- 1 Power Brake Vacuum Hose Bracket
- 1 1/4-20 x 1" Hex Cap Screw
- 1 1/4-20 Hex Nut
- 1 1/4" AN Washer
- 1 1/4" Star Washer

• **ACCESSORIES & INSTALLATION ITEMS:** Major recommendations are listed below. See our catalog for details. **To order a catalog, call (800) FUN-TEAM**, or visit [www.edelbrock.com](http://www.edelbrock.com).

• **EGR SYSTEMS:** Edelbrock EGR (Exhaust Gas Recirculation) equipped Performer manifolds are intended as a direct functionally identical replacement for their OEM counterparts. All exhaust emissions or emissions-related stock components are intended to be retained and functional. Check local laws for requirements. EGR systems are used on most 1972 and later model vehicles. Check local laws for requirements.

• **THROTTLE BODY RECOMMENDATIONS:** Use only the OEM-type, small-block throttle body injection unit (1-11/16" throttle bores). The use of GM or aftermarket 2" throttle body injection units is not recommended.

• **GASKETS:** Do not use competition-style intake gaskets for this manifold in street/strip or endurance applications. Due to material deterioration over time, internal leakage of vacuum, oil, and coolant may occur.

INTAKE MANIFOLD	REFERENCE	RECOMMENDED GASKET
3704	(None)	GM #10159409

• **POWER PACKAGE OPTIONS:** The Edelbrock Performer TBI intake manifold is part of a total Power Package Parts System that can be completed with the use of dyno-matched Performer-Plus camshaft #3702, Performer Centerbolt cylinder heads #60859 (sold individually), and related parts designed to give you maximum results. Please refer to the Power Package Guide in the Edelbrock Catalog for further details.

• **AFTERMARKET CAMSHAFTS AND HEADERS:** Use only parts that are compatible with computer controlled engines, such as Edelbrock camshaft #3702, and Edelbrock Tubular Exhaust Systems. Do not use header systems which are not tested for compatibility with computer-controlled TBI systems. Those headers may not position the O2 sensor in the correct location, causing improper operation of the fuel injection system.

• **SPECIAL NOTE:** Some applications will require an extra 3/8-16 threaded bolt hole to attach factory bracketry. If needed, locate the dimple in the manifold casting (**See Figure 1**) and drill a 5/16" hole 1-1/8" deep. Tap this hole with a 3/8-16 thread tap, 1" deep.

• **THROTTLE & ACCESSORY BRACKETS:** Throttle and kickdown brackets on some vehicles may require modification to fit.

1. Due to the 1/4" higher than stock throttle body position, it will be necessary to re-adjust the throttle and kickdown linkages according to factory specifications. To adjust the kickdown linkage, depress the metal lock tab on the adjuster, move the "slider" back away from the throttle body as far as it will go, and release the tab (**NOTE: This is much easier to perform before mounting the kickdown bracket to the manifold**). Reconnect the kickdown cable to the throttle arm, then move the throttle arm to wide open throttle (WOT). This will pull the slider forward to the correct position.

- The vacuum line supplying the power brake booster will require installation of a longer hose, and the supplied extension bracket and hardware to facilitate proper mounting.

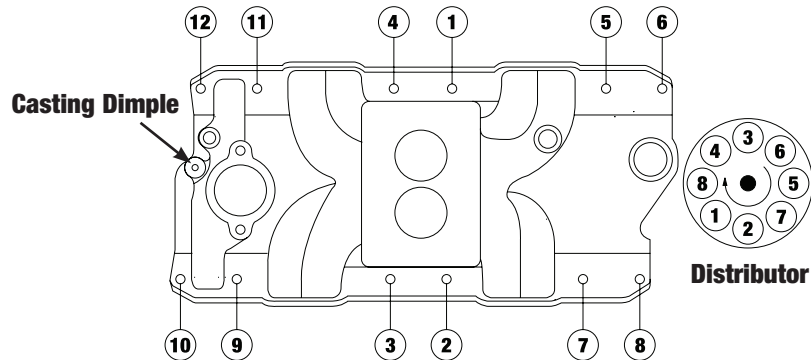
- TUNING FOR POWER:**

**NOTE:** Local emissions laws must be checked for legality of injector or ignition changes.

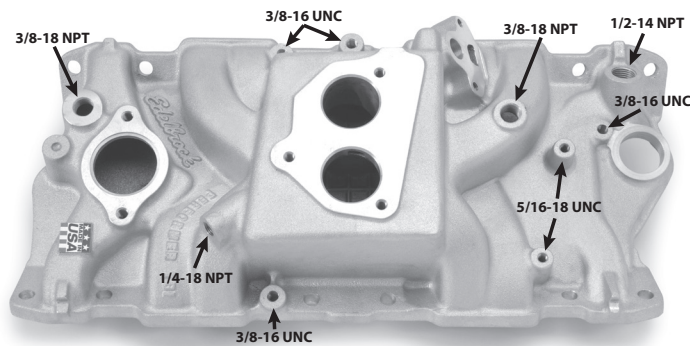
- Performer TBI manifolds deliver excellent driveability and power utilizing the factory OEM distributor settings.
- Match with additional Power Package components for optimum performance.

### INSTALLATION PROCEDURE

- Use only recommended intake gaskets set when installing these intake manifolds.
- Fully clean the cylinder head intake flanges and the engine block end seal surfaces.
- Apply Edelbrock Gasgacinch sealant P/N 9300 to both cylinder head flanges and to the cylinder head side of the gaskets, allow to air dry, and attach the intake gaskets to the cylinder head.
- Do not use cork or rubber end seals. Use RTV silicone sealer instead (**NOTE: Use oxygen sensor safe RTV sealer ONLY**). Apply a 1/4" high bead across each block end seal surface, overlapping the intake gasket at the four corners. This method will eliminate end seal slippage. Set manifold on engine.
- Install the intake manifold hold-down bolts. Torque all of the manifold bolts in two steps by the sequence shown in **Figure 1** to 25 ft/lbs.



**Figure 1 - 305/350 c.i.d. Torque Sequence (Torque Bolts to 25 ft/lbs.)**  
**Firing Order: 1-8-4-3-6-5-7-2**  
**Turn Distributor Counter-Clockwise to Advance Timing**



**Fitting Boss Thread Sizes**

**Edelbrock LLC • 2700 California St. • Torrance, CA 90503**  
**Tech-Line: (800) 416-8628**